

2. Outdoor Camera Installation

The Outdoor Vandal Proof Fixed Dome IP Camera could be mounted on the wall with the Standard/ Compact Pendant Mount for monitoring convenience.

2.1 Standard/Compact Pendant Mounting

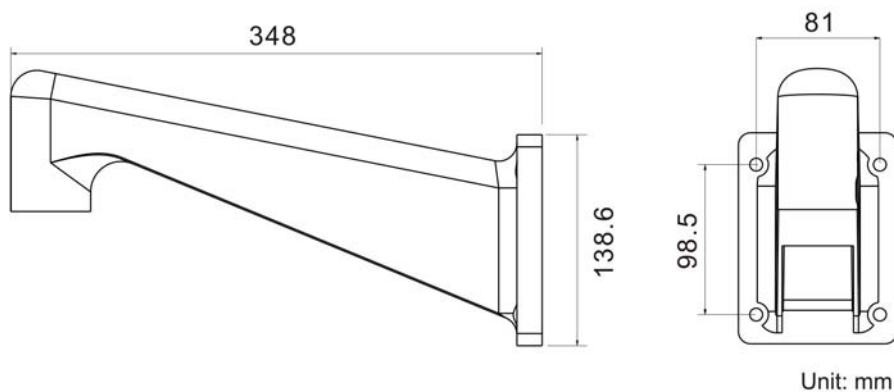
Standard Pendant Mount Package Contents:

- M8x16 Hex Head Stainless Steel Screw (Qty:x1)
- Rubber Washer-8 (Qty:x1)
- Pendant Tube Washer (Qty:x1)
- Spring Washer-8 (Qty:x5)
- Plain Washer-8 (Qty:x4)
- M8x30 Hex Head Machine Screw (Qty:x4)
- Sponge (Qty:x2)

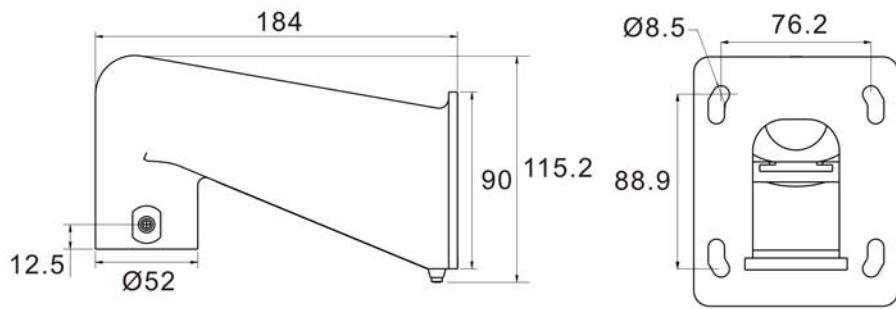
Compact Pendant Mount Package Contents:

- M8x16 Hex Head Stainless Steel Screw (Qty:x1)
- Rubber Washer-8 (Qty:x1)
- Pendant Tube Washer (Qty:x1)
- Spring Washer-8 (Qty:x1)
- Sponge (Qty:x1)

Standard Pendant Mount Dimension:



Compact Pendant Mount Dimension:



Unit: mm

Tools Needed:

- Tool for drilling
- Tool for screwing
- Security Torx (supplied)

Follow the steps below to install the Standard/ Compact Pendant Mount:

Step 1:

Unscrew the Security Torx Screws with the supplied Security Torx Driver and open the Dome Cover.



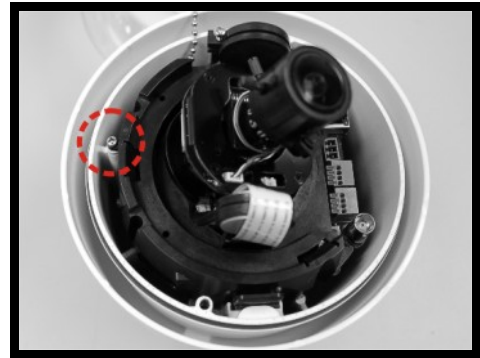
Step 2:

Press both sides of the Inner Cover and remove it from the Camera Module.



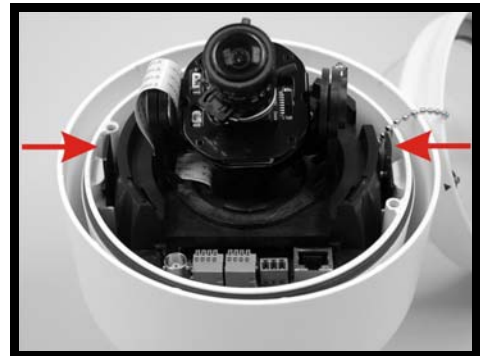
Step 3:

Unscrew the Module-fastened Torx Screw, as indicated in the figure.



Step 4:

Press the sides of the Snap-on Camera Module, as indicated in the figure, and detach it from the Dome Camera's Housing.



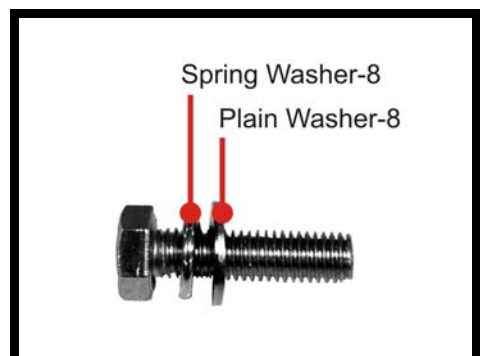
Step 5:

Fasten the Standard/ Compact Pendant Mount onto the wall securely Run the Ethernet cable through the Standard/ Compact Pendant Mount as shown in the figure.



M8x30 Hex Head Machine Screw (for Standard Pendant Mount only):

The Standard Pendant Mount is supplied with four M8x30 Hex Head Machine Screws for the convenience of installation by fastening the Pendant Mount with other metal part together.



Step 6:

Thread the Ethernet cable through the entry of the Dome Camera's Housing.



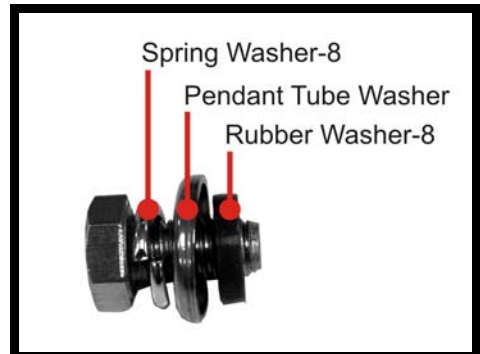
Step 7:

Rotate the joint of Dome Camera Housing into the entry of the Pendant Mount, aligning the screw hole of the joint with the one of the Pendant Mount.



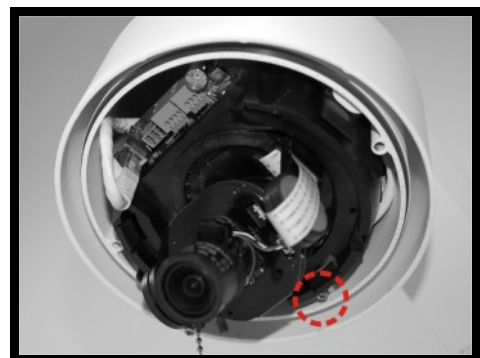
Step 8:

Fix the camera housing with the supplied M8x16 Hex Head Stainless Steel Screw and Washers.



Step 9:

Attach the Snap-on Camera Module to the Dome Camera Housing and tighten the Module-fastened Torx Screw.

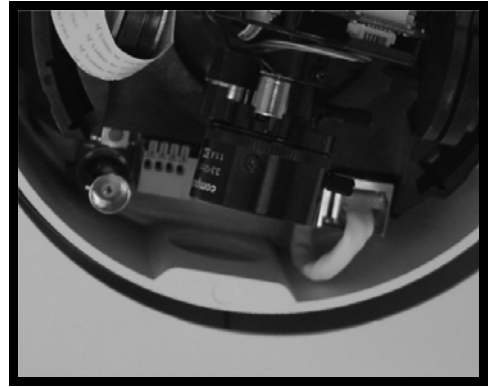


Step 10:

Connect the RJ-45 cable to the Camera Module to access the camera for viewing video, and then adjust the Dome Camera lens to a desired angle.



NOTE: The zoom level and focal length might be different with the Dome Cover on, in this case, adjusting zoom level and focal length through the Dome Cover is recommended.



Step 11:

Put the Inner Cover back to the Camera Module.



Step 12:

Close the Dome Cover and tighten the Security Torx Screws.



Installation Complete.

